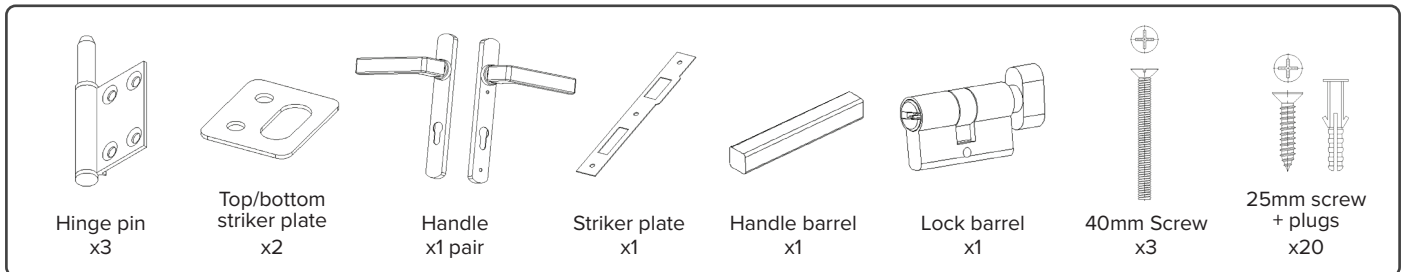


stainless steel & aluminium SECURITY SCREEN DOOR



Installation Instructions

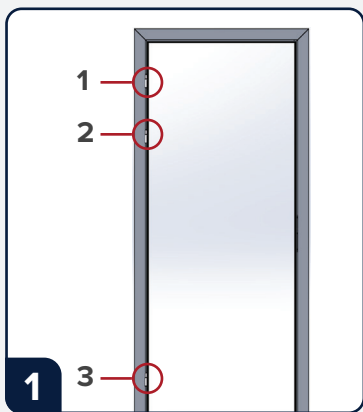
Components List



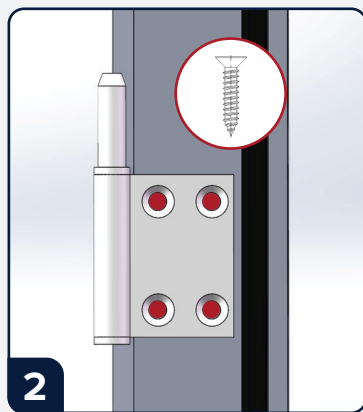
MEASURE DOOR OPENING

1. Measure height and width of door frame, ensuring it is square and suitable for the chosen door size.
2. This security door has a left-hand hinge when viewed from outside.
3. Hinges face the side that they open towards (i.e. when installing, the hinge will need to be on the left facing outside)
4. Check that the door handle will not hit the existing door

DOOR INSTALLATION



1 Mark door hinge position.
Chisel to depth if required



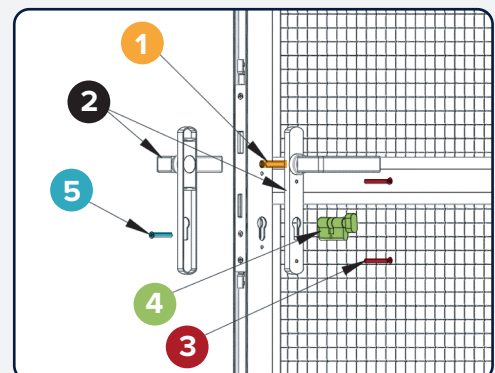
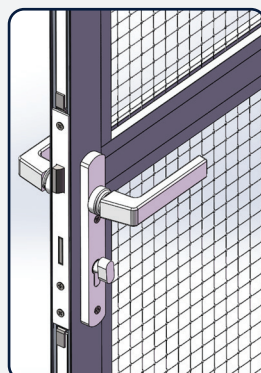
2 Pre-drill with 3.5mm bit and secure hinge pin with 25mm screws provided



3 Secure door onto hinge pin

HANDLE INSTALLATION

- 1 Insert the handle barrel
- 2 Put the two handles together. Ensure it is facing the correct way
- 3 Secure with 2x 40mm screws provided
- 4 Insert lock barrel through, ensuring the key end is facing outside the home.
- 5 Secure with 1x 40mm screw provided



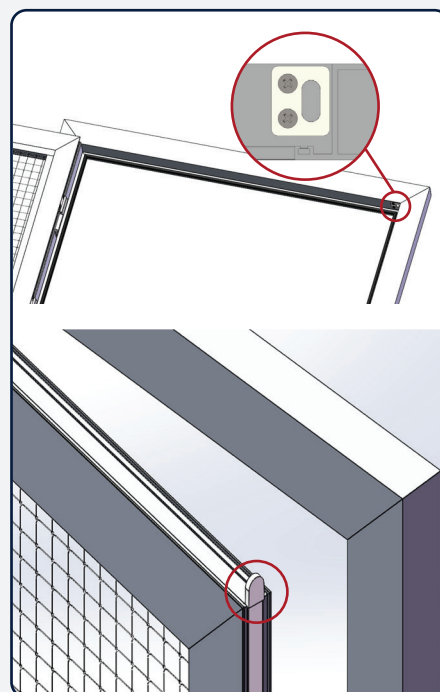
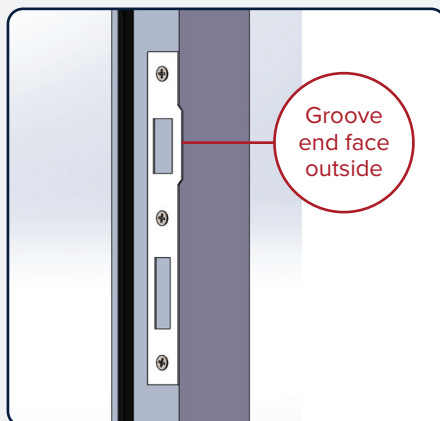
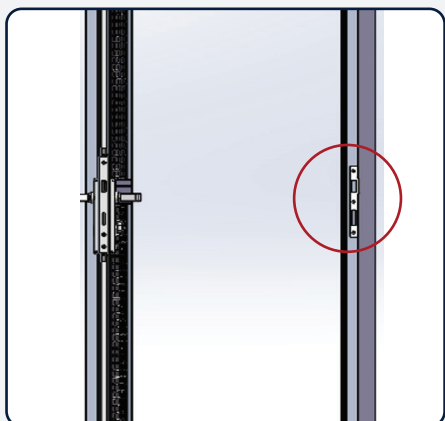
stainless steel & aluminium SECURITY SCREEN DOOR

Installation Instructions

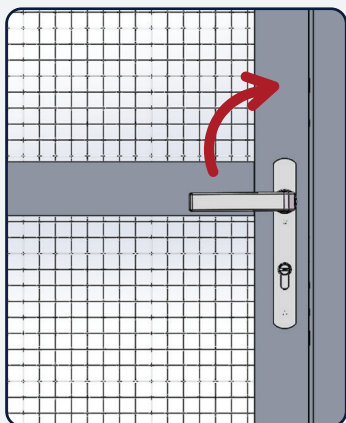


STRIKER PLATE INSTALLATION

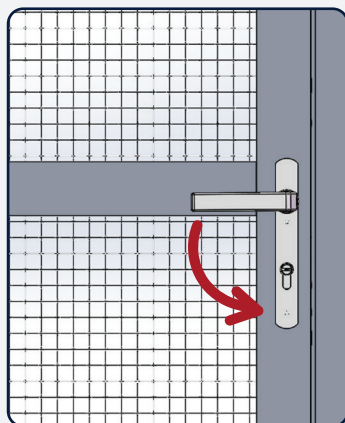
1. Mark position of the main lock bolt
2. Align striker plate and draw outline of the plate
3. Drill pilot hole and chisel to depth
4. Check that the door latch can be locked and unlocked
5. Secure striker plate with 25mm screws
6. Repeat for top and bottom bolt



3-POINT LOCK OPERATION



To activate 3 point lock, move the handle upward



Move the handle down to activate only main lock bolt

To lock the door
Insert the key, turn clockwise 1 full turn to engage lock

To unlock the door
Insert the key, turn counter-clockwise 1 full turn to unlock.

