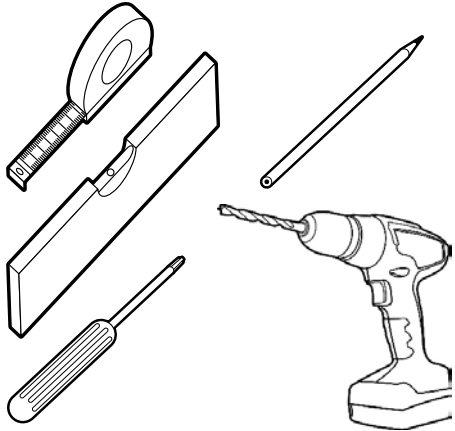


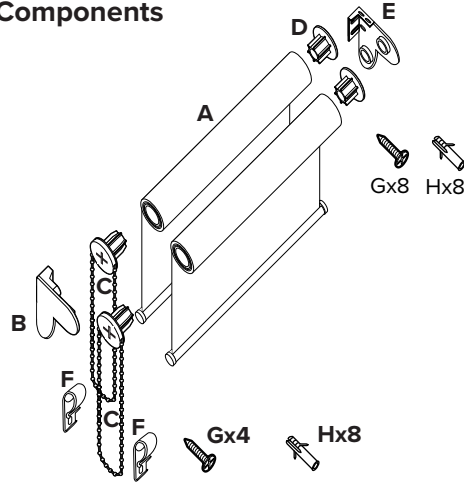
Elegance Day + Night Installation Instructions

Tools Required



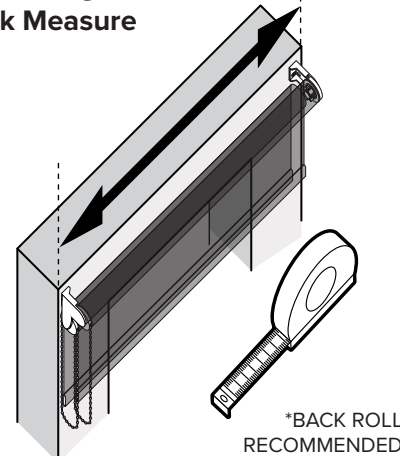
Use these tools for easy DIY installation.
**•METAL TAPE MEASURE •SPIRIT LEVEL •PENCIL
 •PHILIPS HEAD SCREW DRIVER •2mm DRILL BIT •DRILL**

Components



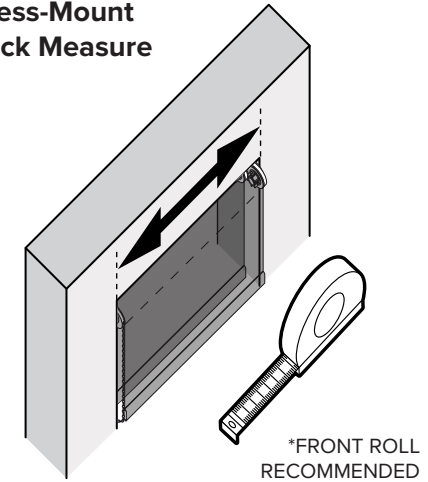
Before installation, always perform a check to ensure all blind parts and componentry is present.

Face/Ceiling-Mount Check Measure



Face Mounted blinds are fixed to either: Architrave, Lintel/Wall or ceiling above the window frame. Measure width to cover opening as shown above.

Recess-Mount Check Measure



Recess Mounted blinds are fixed inside the window frame. Measure width to fill opening as shown above.

Fixings Included

Screws for fitting to Architrave, Lintel/Wall or Ceiling Joist/Beam. Not suitable for fixing to brick or metal.



Gx8

Plaster Plugs to be used in conjunction with screws when fitting to plaster.

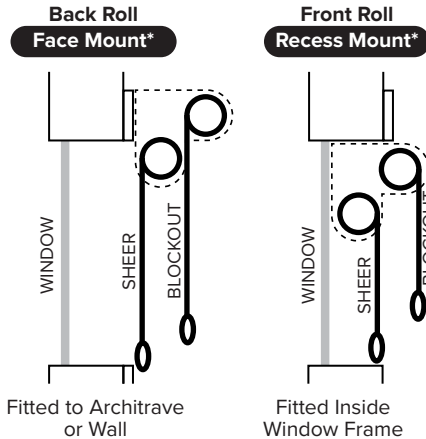


Hx8

NOTE: ALTERNATE FIXINGS ARE REQUIRED IF FITTING TO BRICK OR METAL DEPENDING ON YOUR SPECIFIC APPLICATION/LOCATION

Screws (G) have been provided for fixing brackets to architrave or timber frame. If fitting to plaster, use Plugs (H) provided.

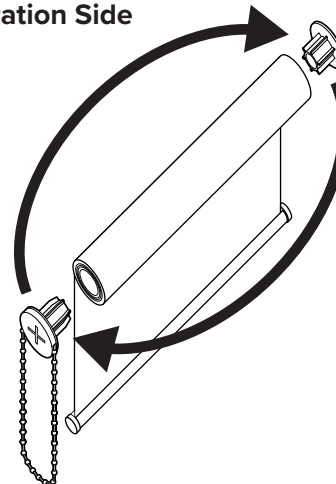
Fabric Roll Direction



Fabric can be rolled from the front or back by simply flipping the entire roller tube or re-rolling the blind backwards.

***RECOMMENDED STYLE**

Operation Side



The Chain Operation can be swapped from either left or right side* depending on your application/location.

*Both Rollers must have chain on same side.

! WARNING

To avoid creating a possible strangulation hazard for children, the corded internal window covering must be installed in such a way that a loose cord cannot form a loop 220mm or longer at a height of less than 1600mm above floor level.

A cord guide may be installed lower than 1600mm above floor level if the cord is sufficiently secured or tensioned to prevent a loop 220mm or longer from being formed.

If a cord guide is installed lower than 1600mm above floor level it must be designed to prevent a child from being able to remove the cord.

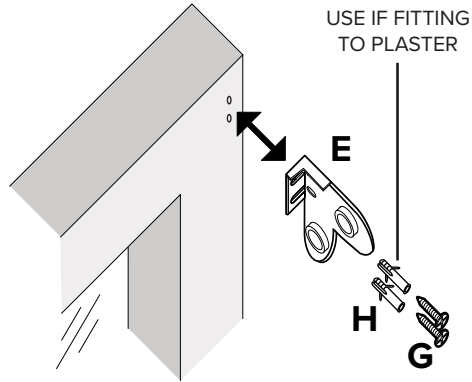
If a cleat is used to secure the cord it must be at least 1600mm above floor level because a child is capable of unwinding a cord from a cleat.

Elegance Day + Night Installation Instructions

PILLAR

ALWAYS MEASURE AND MARK LEVEL BRACKET POSITIONS BEFORE PRE-DRILLING PILOT HOLES

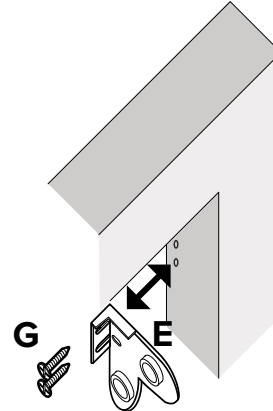
Face-Mount Installation



Secure to Architrave or Wall as shown above using screws provided. Use plaster plugs if fixing to wall.

NOTE: ALTERNATE FIXINGS ARE REQUIRED IF FITTING TO BRICK OR METAL DEPENDING ON YOUR SPECIFIC APPLICATION/LOCATION

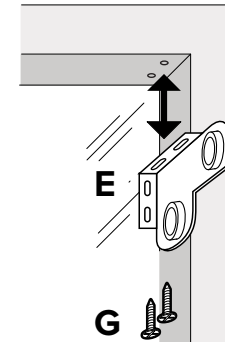
Recess Side-Mount Installation



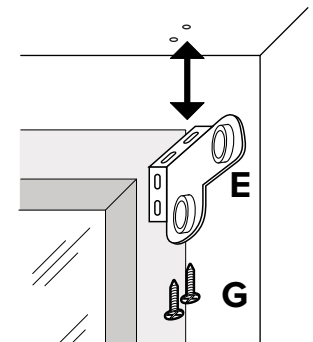
Secure inside window frame as shown above using screws provided

Top-Mount Installation

Inside Frame



Ceiling Mount*

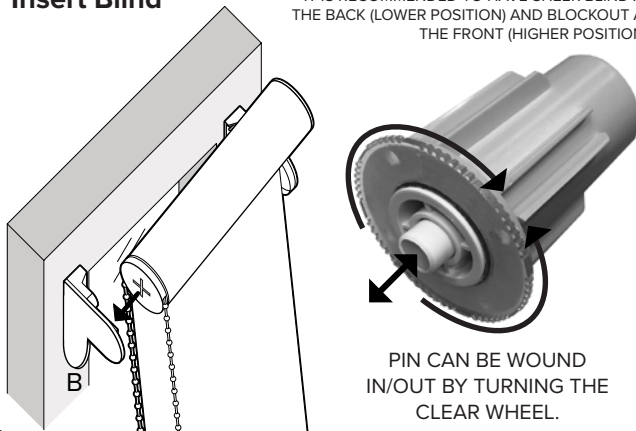


Secure to top of window frame or to ceiling as shown.

***NOTE:** CEILING MOUNT MUST BE FIXED TO JOIST/BEAM FAILURE TO DO SO COULD RESULT IN DAMAGE AND/OR INJURY

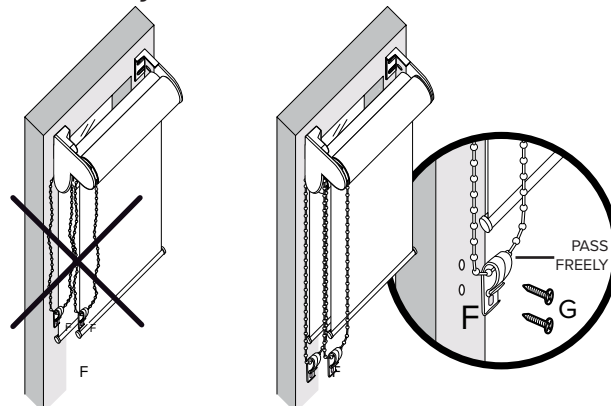
Insert Blind

IT IS RECOMMENDED TO HAVE SHEER BLIND AT THE BACK (LOWER POSITION) AND BLOCKOUT AT THE FRONT (HIGHER POSITION).



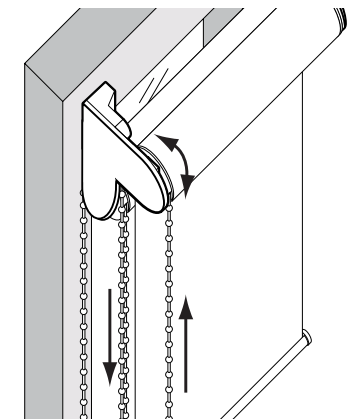
Insert mechanisms into tube on desired sides and insert into brackets. Pin mechanism can be wound in/out for easy blind removal & access to window.

Install Safety Device



Lightly tension ball chain and fit tension device securely to Architrave/Wall. Allow enough play for chain to pass through device freely.

Operation



Gently pull on the ball chain to raise or lower your blind to any height.

! WARNING

To avoid creating a possible strangulation hazard for children, the corded internal window covering must be installed in such a way that a loose cord cannot form a loop 220mm or longer at a height of less than 1600mm above floor level.

Maintenance

Dust periodically. Use warm soapy water and soft cloth to clean if required.