

Kakadu

RETRACTING FLYSCREEN ROLLER DOOR



**Approx.
1 Hour
Install**



**1 Person
Install**

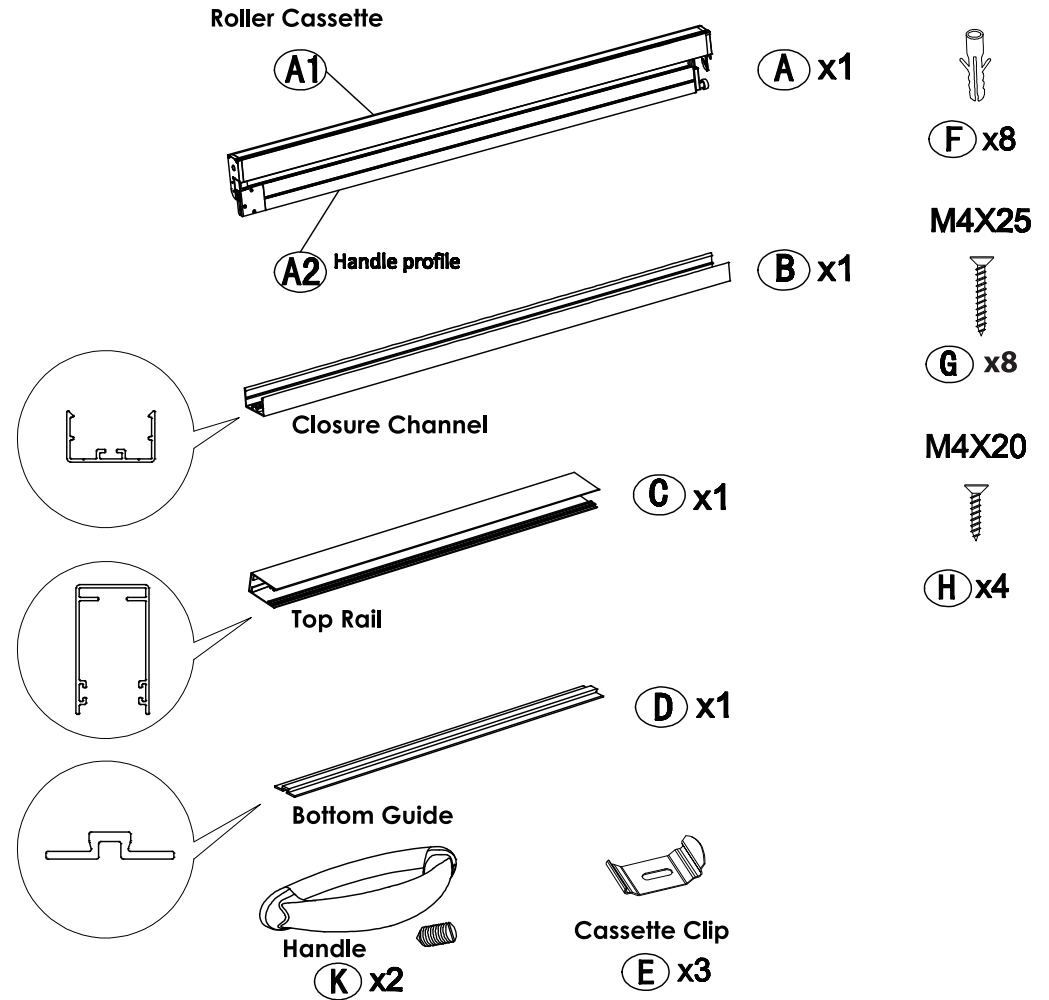
CONTROL CLOSE BY HAND.

**DO NOT RELEASE DOOR
UNTIL FULLY RETRACTED.
RETRACTION FORCE OF
UNCONTROLLED RELEASE
MAY DAMAGE DOOR.**

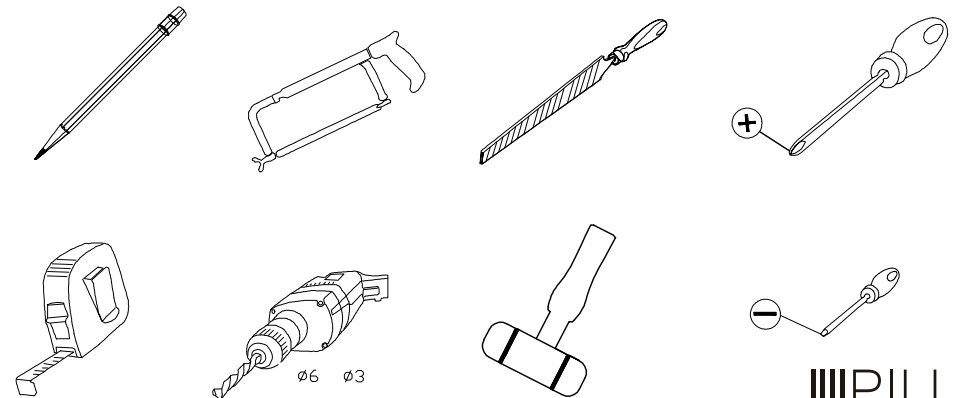
**LEAVE DOOR OPEN IN
HIGH WINDS**

1300 155 355
info@pillarproducts.com.au
www.pillarproducts.com.au

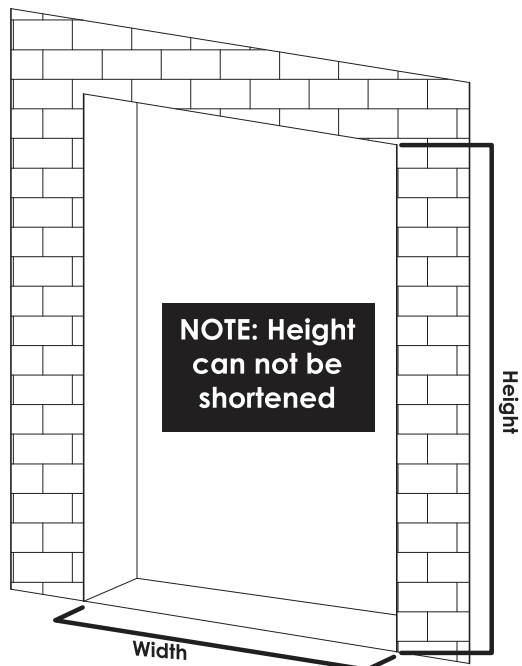
COMPONENT LIST



TOOLS REQUIRED

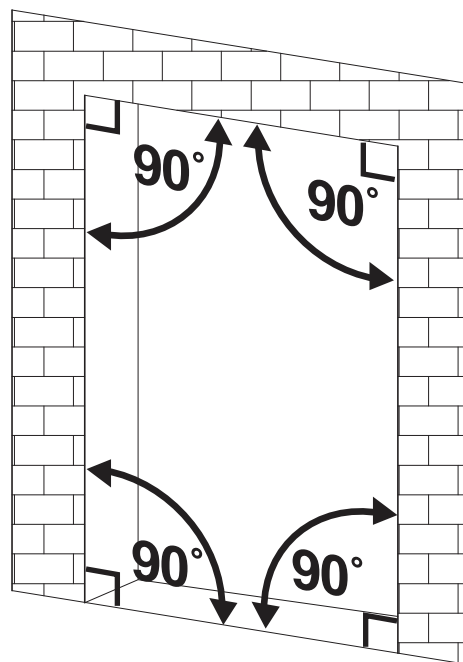


1



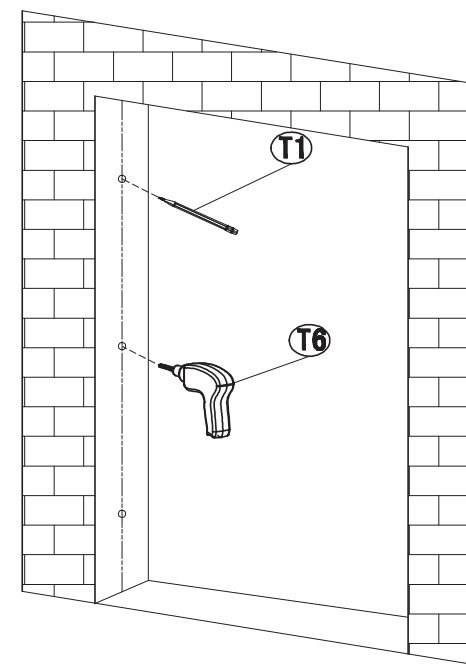
Measure opening Width and Height to ensure correct size door is selected.

2



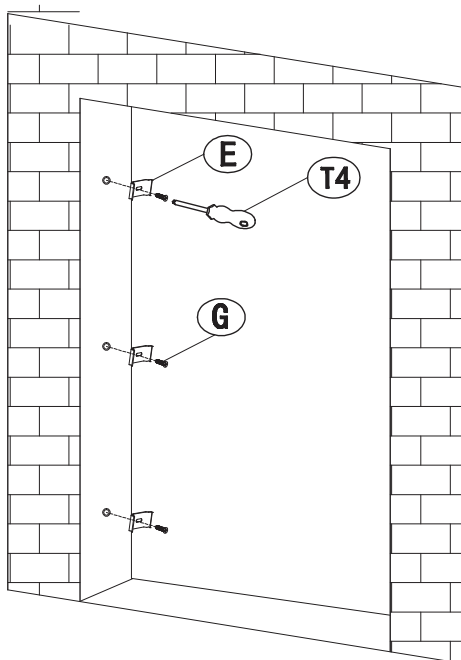
Opening **MUST** be **FLAT, LEVEL** and **SQUARE**.
Door will not operate properly if installed out of square

3



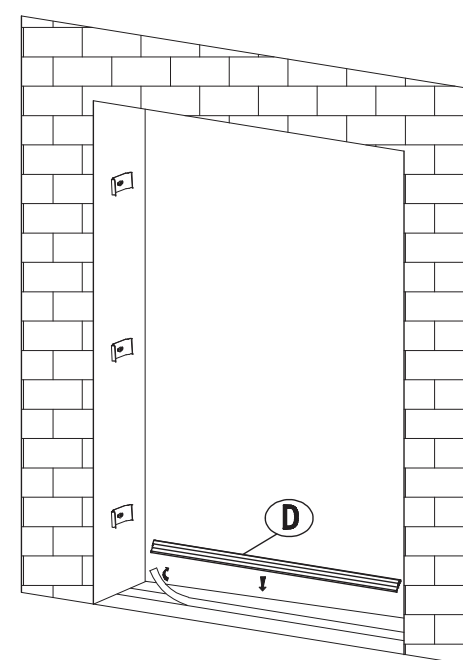
Measure, mark and pre-drill clip positions at even intervals. Use plugs if required.

4



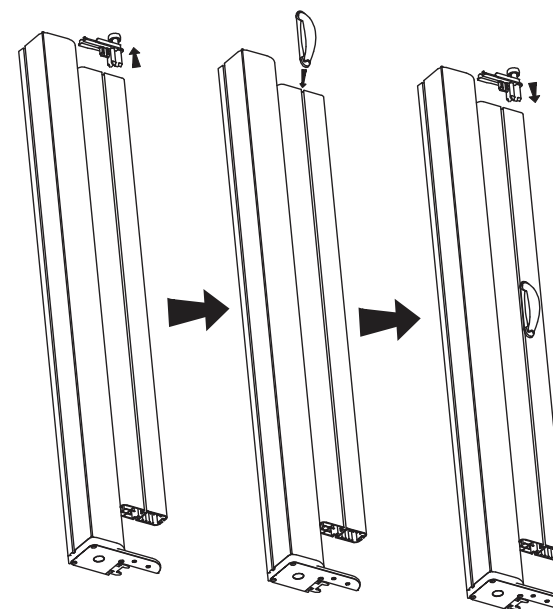
Attach Cassette Clips using screws provided at pre-drilled positions.

5



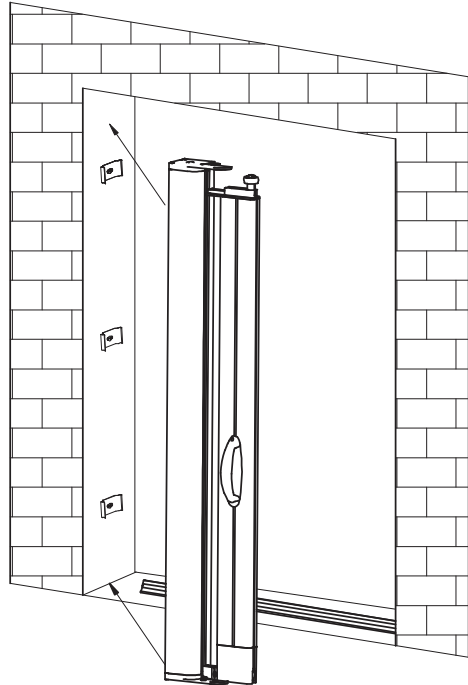
Attach the Bottom Guide to the floor using double sided tape. Additional adhesive may be used such as silicone.

6



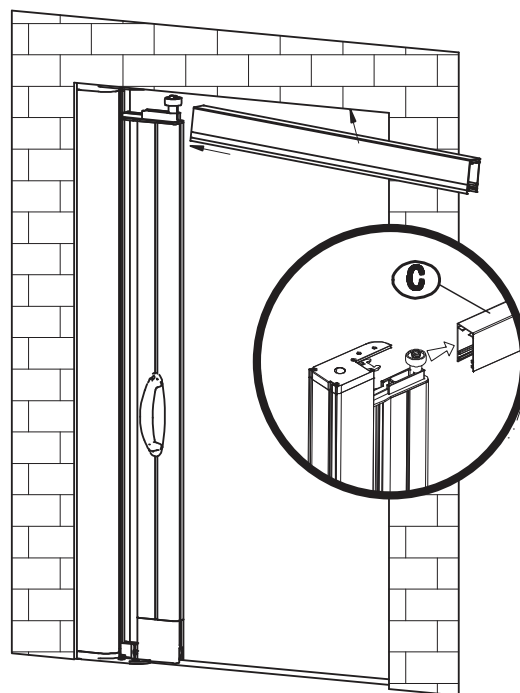
Remove the top guide to allow access for handle to slide into door & replace top guide. Secure at desired height.

7



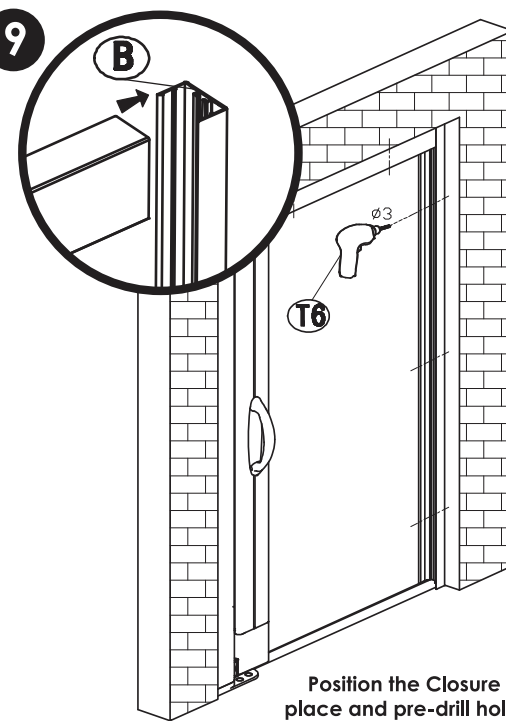
Secure the Cassette into the clips.

8



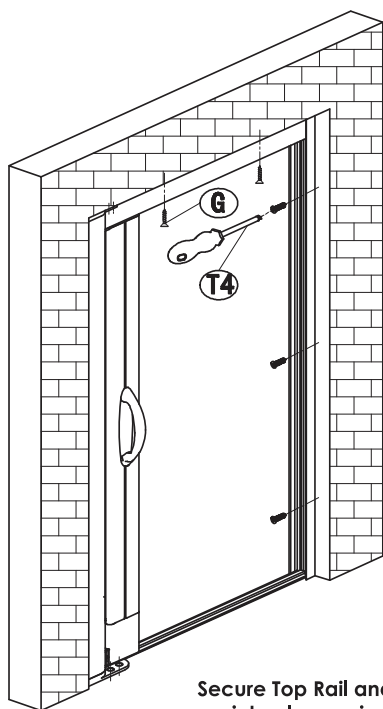
Insert the Top Rail over the wheel and onto the top of the Cassette as shown.

9



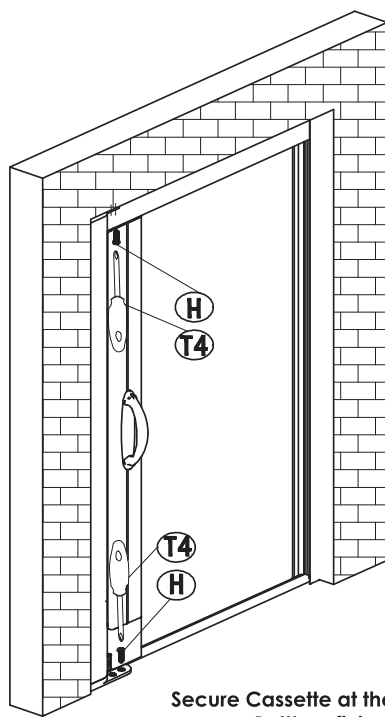
Position the Closure Channel into place and pre-drill holes in Top Rail & Closure Channel.

10

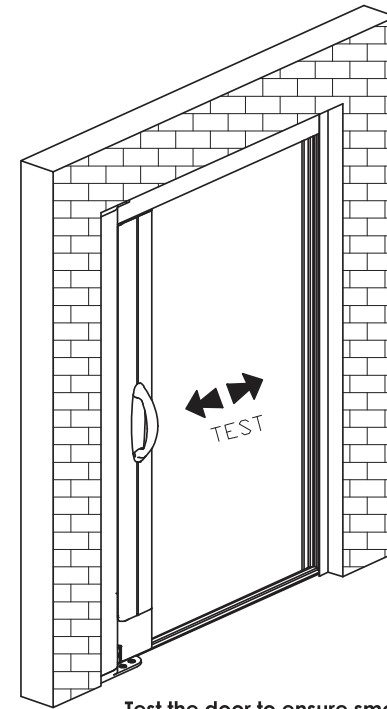


Secure Top Rail and Closure Channel into place using screws provided. Use plugs if required.

11



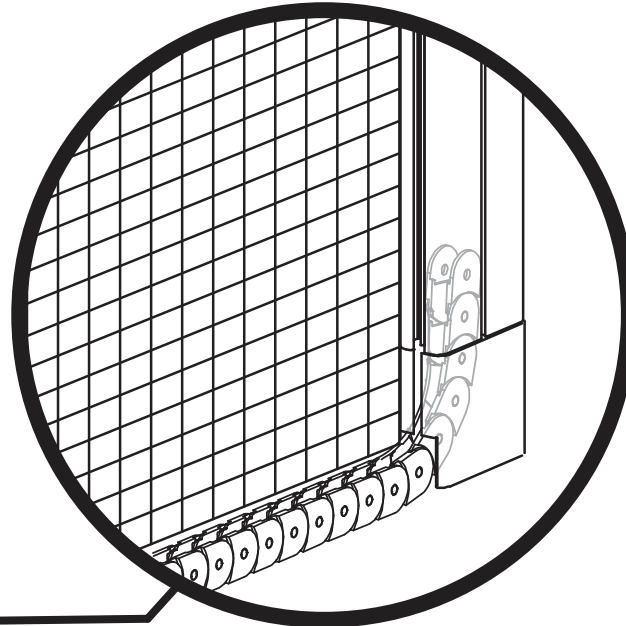
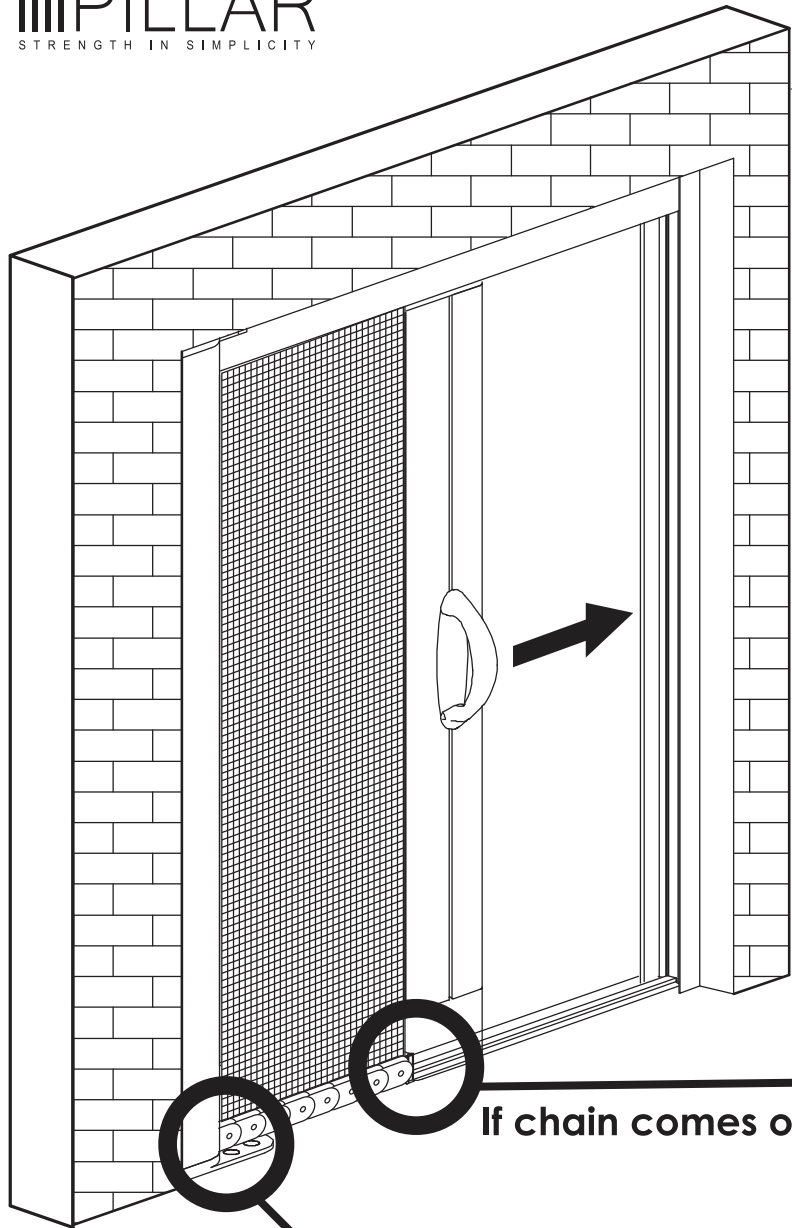
Secure Cassette at the additional Top & Bottom fixing points as shown.



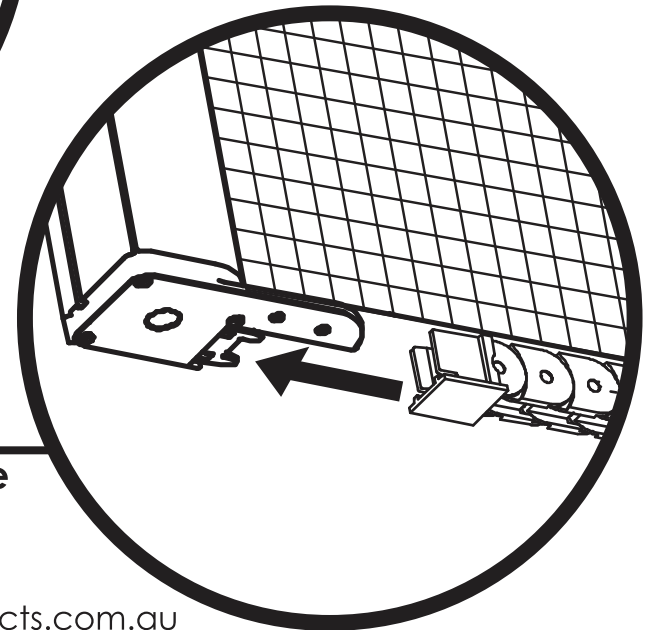
Test the door to ensure smooth operation. If door fails to stay closed, re-check alignment and door is square

Operation

- > Door should operate freely and connect to magnet in closure channel.
- > If magnets do not hold, the door is not square. Check alignment/installation.
- > Operate by hand when closing **AND opening**.
- > **Do not** release door allowing it to spring open, **control the retraction by hand**.
- > Leave door open in high winds.
- > Chain links can clip back together if they come apart from rough use.



If chain comes out of Handle Bar, simply re-insert



If chain comes away from door, simply click back into place