

PILLAR

pvc weekender

DOOR CURTAIN



EASY
INSTALL



CUSTOMISE
TO FIT



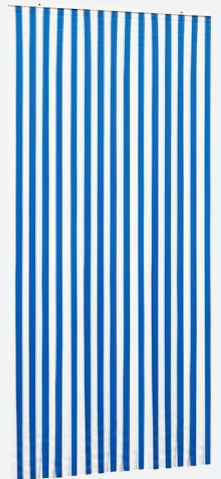
PROVIDES
AIRFLOW



INSECT
PROTECTION



- Allows refreshing breezes
- Suits most doorways
- Can be shortened



Contents

Components List	pg 3
Installation Instructions	pg 4

Components List



2 x Screws



2 x Plaster Plugs

You'll Need



TAPE MEASURE



DRILL

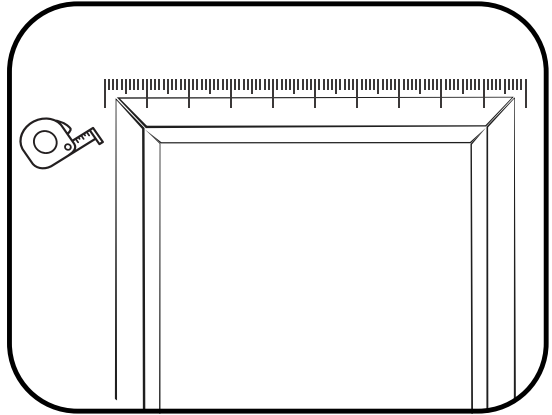


2.5mm DRILL BIT

Installation Instructions

STEP ONE

Measure the door frame to ensure size is suitable.

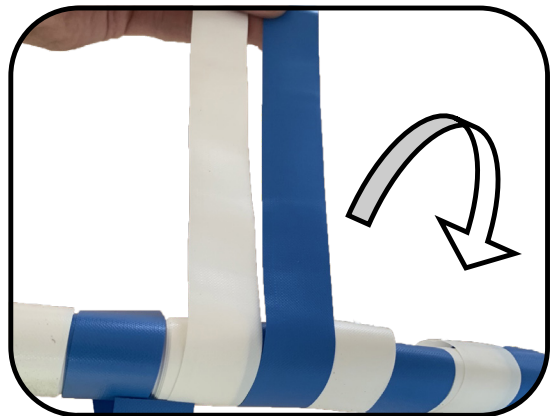


STEP TWO

Unravel curtain.

Note:

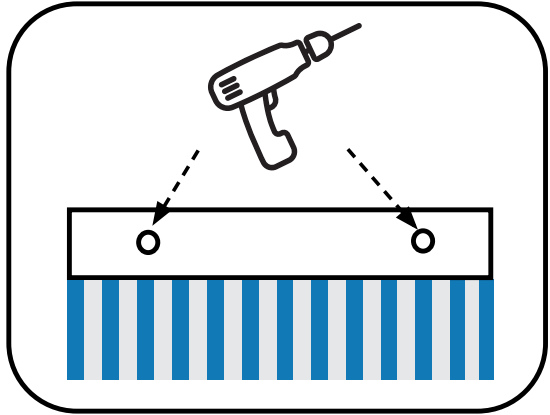
Creases on PVC strips will flatten over time once hung upright.



Installation Instructions

STEP THREE

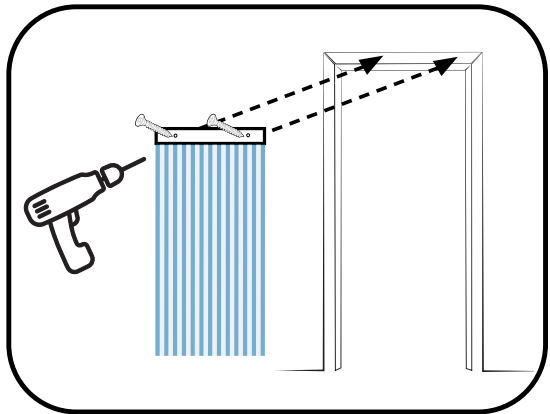
Pre drill 2 holes onto the headrail using a 2.5mm drill bit.



STEP FOUR

Secure door curtain to frame with screws provided.

Use plaster plug in conjunction with screws when fitting to plaster.



PILLAR



Pillar Products PTY LTD
pillarproducts.com.au

48-50 Access Way,
Carrum Downs VIC 3201
1300 155 355
info@pillarproducts.com.au

WARRANTY



To register your purchase for our warranty, scan here and complete the steps. For any other issues please contact the Bunnings store of purchase.